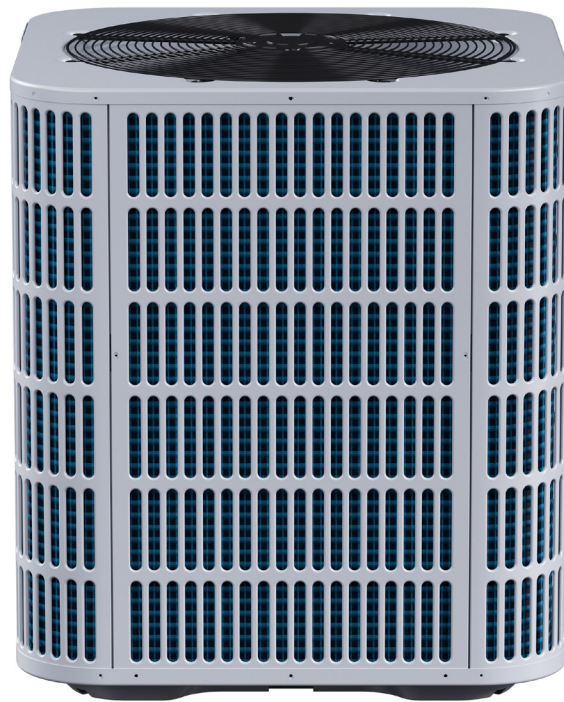
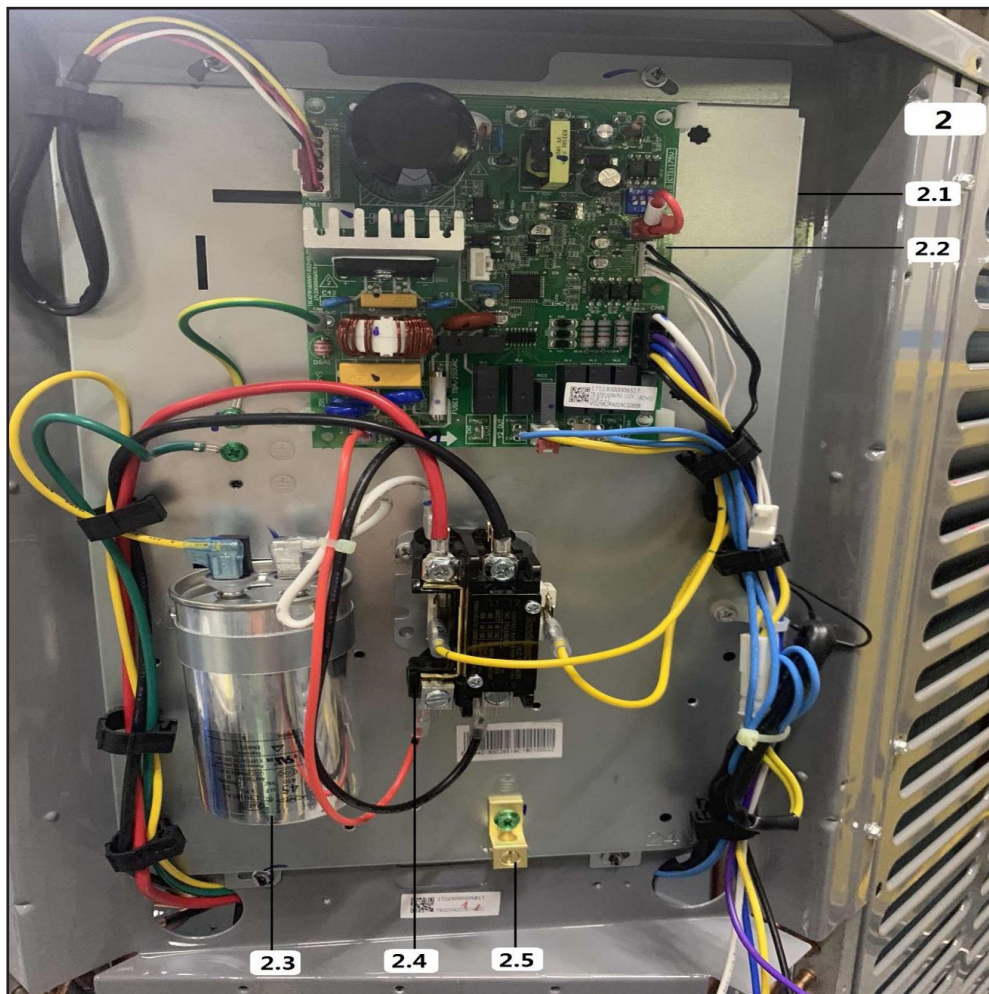
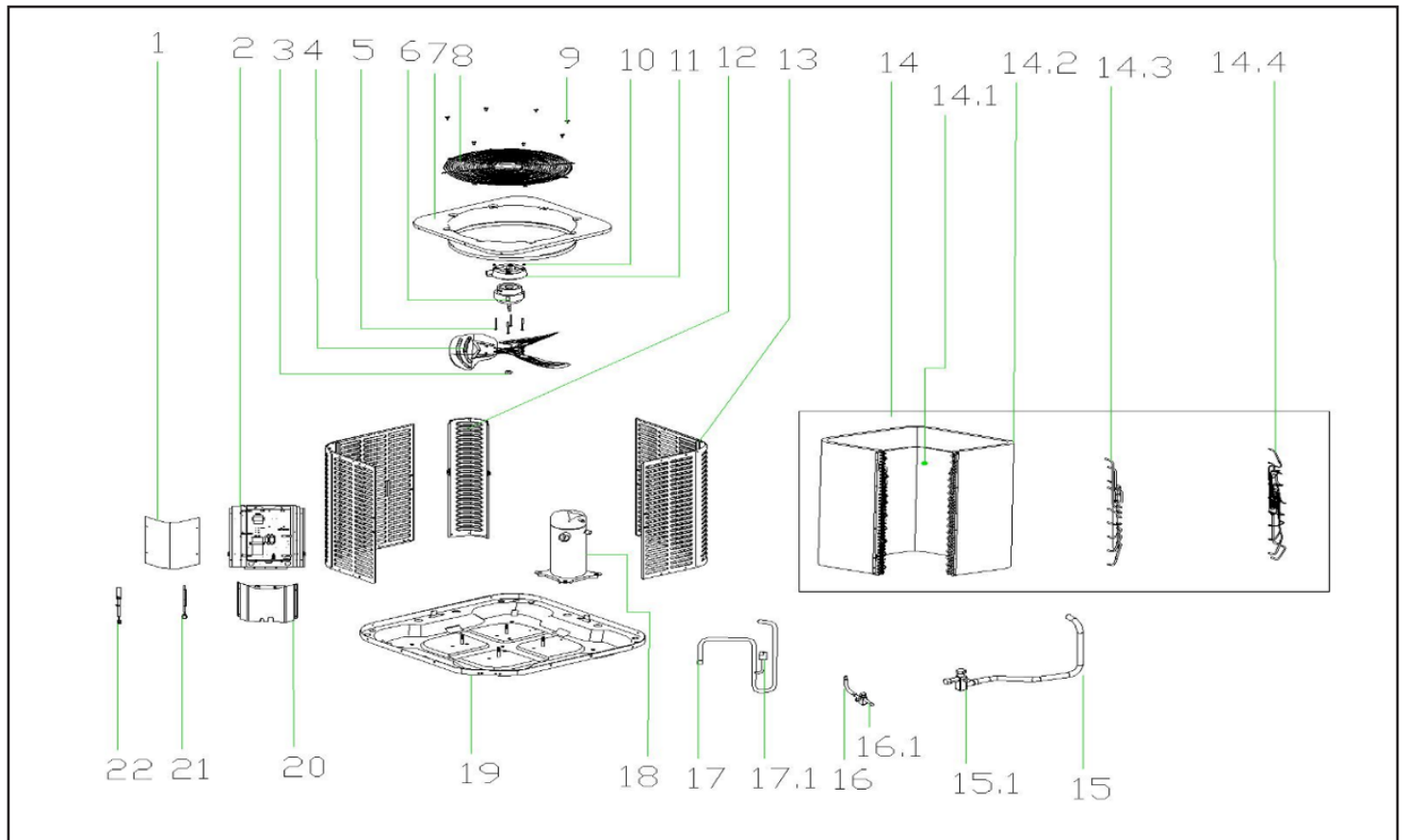

Comfort-Care® **Century**®
SE Series

Split System Air Conditioner

RSA1561S1A
Parts List



MARS®



EX_ID	Spare Parts Code	Part Name(EN)	Qty.	Recommend store spare parts
1	12223000A05994	Side panel assembly	1	
2	17223000006817	E-part box assembly	1	
2.1	12223000010791	Installation plate of electric parts subassembly	1	
2.2	17123000006517	Outdoor main control board assembly	1	YES
2.3	17400103000150	Capacitor	1	
2.4	11203502000032	AC contactor	1	YES
2.5	11201708000008	Wiring Terminal	1	
3	11301512000143	Nut	1	
4	12200104000032	Axial Flow Fan	1	YES
5	11301805000012	Motor Mounting bolt	4	
6	11002015009345	Brushless DC Motor	1	YES
7	12223000001094	Top cover assembly	1	
8	12227700003729	Top Cover	1	
9	11301002000001	Stainless steel bolts	8	
10	11301604000001	Nut	4	
11	12123000000464	Motor installation board ass'y	1	
12	12223000002572	Side panel assembly	3	
13.1	12223000A02870	Side panel assembly	2	
13.2	12223000A02929	Side panel assembly	2	
14	15823000005963	Condenser part	1	YES
14.1	15823000004784	Condenser	1	
14.2	15823000004785	Condenser	1	
14.3	15123000008850	Condenser inlet pipe ass'y	1	
14.4	15123000008839	Condenser output pipe ass'y	1	
15	15423000004821	Stop valve ass'y	1	
15.1	15500206000017	Bar-Stock Service Valve	1	YES
16	15423000003178	Stop valve ass'y	1	
16.1	15500206000018	Block valve	1	YES
17	15423000005022	Air discharge pipe assembly	1	
17.1	17400516000032	Pressure switch	1	YES
18	11102010001298	Fixed Speed Scroll compressor	1	YES
19	12223000005894	Base assembly	1	
20	12223100000240	Clapboard assembly	1	
21	17401110000020	Green ground line	1	
22	17401203001230	Compressor wire joint ass'y	1	

Due to ongoing product improvements, specifications and dimensions are subject to change and correction without notice or incurring obligations. Determining the application and suitability for use of any product is the responsibility of the installer. Additionally, the installer is responsible for verifying dimensional data on the actual product prior to beginning any installation preparations.

Incentive and rebate programs have precise requirements as to product performance and certification. All products meet applicable regulations in effect on date of manufacture; however, certifications are not necessarily granted for the life of a product. Therefore, it is the responsibility of the applicant to determine whether a specific model qualifies for these incentive/rebate programs.



1900 Wellworth Ave., Jackson, MI 49203 • Ph. 517-787-2100 • www.marsdelivers.com

